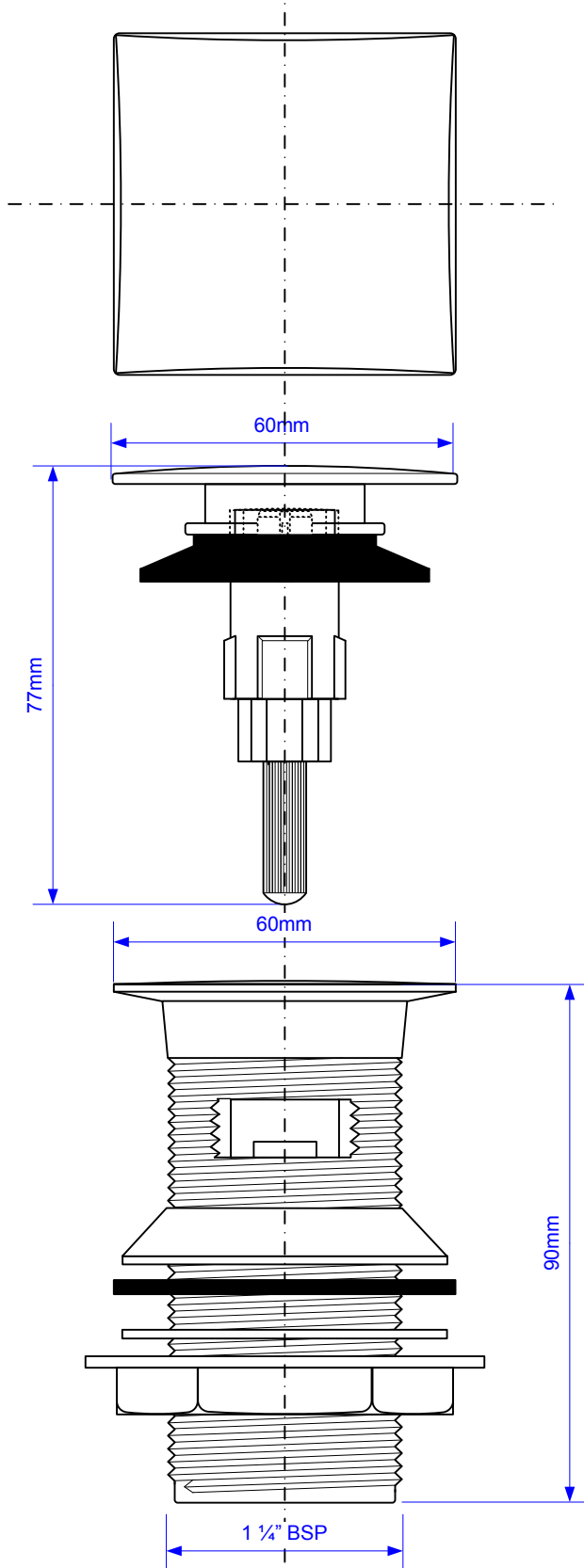
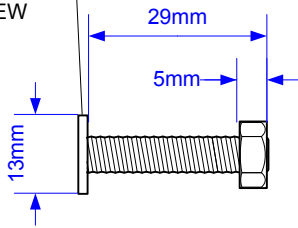


Code:

CW60SQ-CB

CHAIN STAY
BLANKING SCREW



©McALPINE
29/06/2011

Drawing verified
correct as of:

29/06/2011
RM

DRAWN BY

AA

REVISED

29/06/2011 (RM)

FILENAME

CW60SQ-CB.VSD

SCALE

1:1

DATE

29/06/2011